



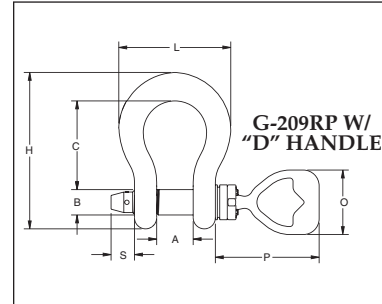
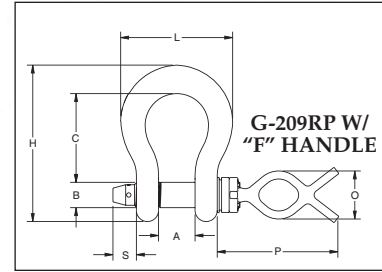
**G-209R
ROV SHACKLE**
with "D" Style Handle
Shown



Scan our QR Code with your smart device to visit the online flyer.

- Capacities from 8-1/2t through 55t.
- Forged Steel, Quenched & Tempered, with alloy pins.
- Handles are stainless steel.
- Shackles and bolts are available in both "D" and "F" designs.
- Working Load Limit permanently shown on every shackle.
- **QUIC-CHECK®** deformation and angle indicators forged on the bow.
- All ROV shackle bows are galvanized, then painted fluorescent yellow.
- Handles are painted fluorescent orange.
- New Interchangeable handles on ROV shackle bolts.
- "D" and "F" handle kits available containing handle, retaining bolts and individual packet of Loctite® for easy installation.
- Handles are **RFID EQUIPPED**.
- Look for the Red Pin®... the mark of genuine Crosby quality.

NOTE: ROV Hooks available on page 130 and 131.



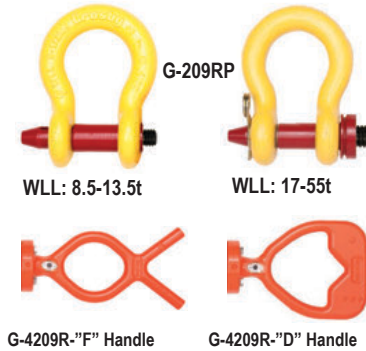
SEE APPLICATION INFORMATION

On Page 92 of the General Catalog
Para Español: www.thecrosbygroup.com

G-209RP ROV Shackles with "D" or "F" Style Handle

Working Load Limit (t)*	G-209RP with "F" Style Handle Dimensions (mm)										G-209RP with "D" Style Handle Dimensions (mm)									
	Weight Each (kg)	A +/-	B	C +/-	H	L	O	P	S	T	Weight Each (kg)	A +/-	B	C +/-	H	L	O	P	S	T
8-1/2	3.5	42.9	28.7	95.3	167	119	96.3	220	31.2	16.0	3.8	42.9	28.7	95.3	167	119	129	184.2	31.2	16.0
9-1/2	4.5	46.0	31.8	108	190	131	96.3	220	31.2	16.0	4.7	46.0	31.8	108	190	131	129	184.2	31.2	16.0
12	5.6	51.6	35.1	119	210	146	96.3	220	33.0	16.0	5.9	51.6	35.1	119	210	146	129	184.2	33.0	16.0
13-1/2	7.1	57.2	38.1	133	233	162	96.3	220	35.6	16.0	7.4	57.2	38.1	133	233	162	129	184.2	35.6	16.0
17	8.4	60.5	41.4	146	254	175	96.3	244	45.5	16.0	8.7	60.5	41.4	146	254	175	129	208.0	45.5	16.0
25	15.5	73.2	50.8	178	313	224	96.3	244	47.0	16.0	15.7	73.2	50.8	178	313	224	129	208.0	47.0	16.0
35	22.0	82.6	57.2	197	348	258	96.3	248	49.2	16.0	22.3	82.6	57.2	197	348	258	129	212.6	49.2	16.0
55	43.2	105	69.9	267	455	324	96.3	258	52.3	16.0	43.5	105	69.9	267	455	324	129	212.3	52.3	16.0

* Minimum Ultimate Load is 5 times the Working Load Limit. * NOTE: Maximum Proof Load is 2.0 times the Working Load Limit.



G-209RP Bows with Pin. G-4209 Handles and Pin Assemblies

Working Load Limit (t)*	G-209RP Bow with Pin (less Handle)		G-4209R Handle Only				G-4209RFB "F" Pin Assembly		G-4209RDB "D" Pin Assembly	
	Stock No.	Weight Each (kg)	"F" Handle Stock No.	Weight Each (kg)	"D" Handle Stock No.	Weight Each (kg)	Stock No.	Weight Each (kg)	Stock No.	Weight Each (kg)
8-1/2	1021200	0.5	1021085	1.3	1021094	1.6	1020638	1.8	1020816	2.1
9-1/2	1021208	0.8					1020647	2.0	1020825	2.4
12	1021217	1.0					1020656	2.3	1020834	2.6
13-1/2	1021226	1.3					1020665	2.6	1020843	2.9
17	1021235	2.3					1020674	3.6	1020852	3.9
25	1021244	3.6					1020683	4.9	1020861	8.5
35	1021253	5.1					1020692	6.4	1020870	11.4
55	1021262	9.6					1020709	10.9	1020889	20.5

* Minimum Ultimate Load is 5 times the Working Load Limit. * NOTE: Maximum Proof Load is 2.0 times the Working Load Limit.



HOW TO ORDER: Crosby ROV shackles are designed in a way to allow multiple handle styles to be used with each size of shackles bow. To ensure the proper components are selected, please use the following steps.

- STEP 1 - Determine the Working Load Limit (WLL) of the desired shackle.
- STEP 2 - Select the G-209RP bow with pin (less handle) that corresponds to the desired WLL.
- STEP 3 - Select the G-4209R handle that best meets your requirements.
- STEP 4 - When placing the order through your local authorized Crosby dealer, reference the corresponding stock numbers associated with the items selected in Steps 2 and 3 above.

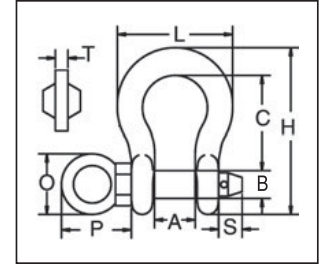
Crosby® ROV Shackles



**G-209R
ROV SHACKLE**

- Capacities from 6-1/2t through 55t.
- Forged Steel, Quenched & Tempered, with alloy pins.
- Working Load Limit permanently shown on every shackle.
- Fatigue rated.
- **QUIC-CHECK®** deformation and angle indicators forged on the bow.
- All ROV shackle bows are galvanized, then painted fluorescent yellow.
- Look for the Red Pin® . . . the mark of genuine Crosby quality.

NOTE: ROV Hooks available on page 130 and 131.



SEE APPLICATION INFORMATION
On Page 92 of the General Catalog
Para Español: www.thecrosbygroup.com

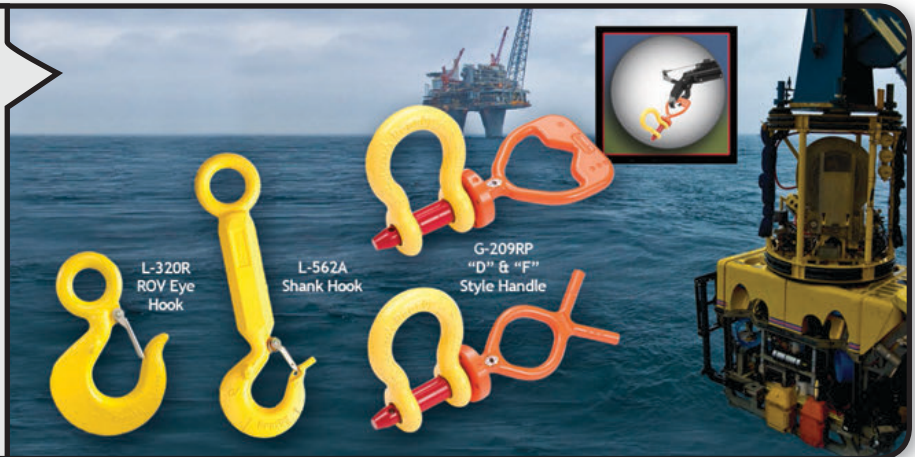
G-209R Subsea Shackles

Working Load Limit (t)*	G-209R Stock No.	Weight Each (kg)	Dimensions (mm)								
			A +/- 6.35	B	C	H	L	O	P	S	T
6-1/2	1020872	1.69	36.6	25.4	84.0	148	102	50	58	17	10
8-1/2	1020902	2.59	42.9	28.7	95.5	167	119	50	61	18	10
9-1/2	1020932	3.77	46.0	31.8	108	190	131	70	83	18	12
12	1020952	5.02	51.5	35.1	119	210	146	70	84	23	12
13-1/2	1020972	6.65	57.0	38.1	133	233	162	75	91	23	15
17	1020992	8.58	60.5	41.4	146	254	175	75	93	24	15
25	1021102	14.1	73.0	51.0	178	313	225	90	114	29	17.5
35	1021125	21.4	82.5	57.0	197	348	253	106	132	30	20
55	1021158	42.8	105	70.0	267	453	327	120	145	45	25

* Minimum Ultimate Load is 5 times the Working Load Limit.

ROV Shackles & Hooks

In conjunction with major North Sea operations, Crosby has developed specifically-designed products to be used in underwater and/or subsea exercises. These products are designed to be highly visible and easy to use for the ROV operator. The Crosby ROV product line reflects the company's unmatched quality and safety standards while providing versatility for a variety of subsea applications. ROV hooks can be found on pages 130 and 131 of this catalog.



SHACKLES